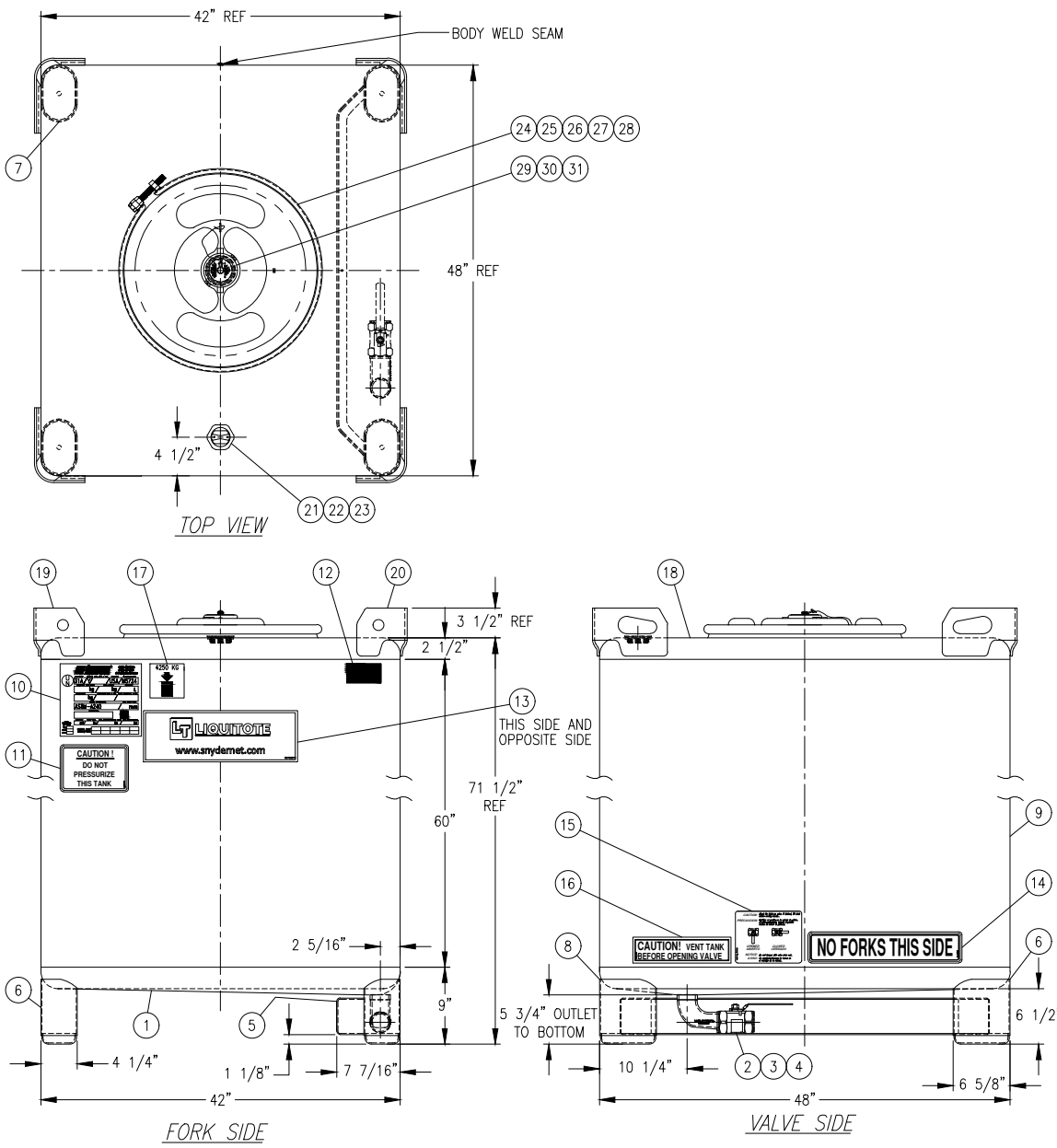


SYMBOL	REVISION	DATE	BY
--------	----------	------	----



31	BRZ	NICOPRESS SLEEVE	2	810702
30	STL	LANYARD PLASTIC COATED	1.5 FT.	810701
29	SS316	FUSIBLE CAP 3" NPS W/EPDM SEAT	1	344839
28	PLTD	NUT 5/8" NC HEX HD	1	35100330
27	PLTD	BOLT 5/8" NC X 5" LG HEX HD	1	340076
26	PLTD	CLAMP RING 22" BOLTED	1	340355
25	SS304L	DRUM COVER 22" 16GA EYEBROWS W/3" HALF NIPPLE	1	328709
24	EPDM	GASKET 22" MULTISEAL FULL WRAP (BLACK)	1	33100747
23	SS304	BUNG PLUG 2" NPS HEX W/CROSSBAR	1	35902725
22	EPDM	GASKET 2" BUNG (WHITE)	1	341886
21	SS316L	BUNG FLANGE 2" NPS	1	35901150
20	SS304	LIFTING LUG RT 1/4" HEAVY DUTY	2	356445
19	SS304	LIFTING LUG LF 1/4" HEAVY DUTY	2	356444
18	SS304	TOP 10GA X 42" X 48"D FN BNG42SD	1	35901185H
17	VINYL	DECAL - STACK 550GL	1	346024
16	VINYL	DECAL - CAUTION VENT TANK	1	343689
15	VINYL	DECAL - VALVE OPEN, CLOSED	1	810722
14	VINYL	DECAL - NO FORKS THIS SIDE	1	810822
13	VINYL	DECAL - LIQUITOTE	2	99700672
12	VINYL	DECAL - USA FLAG	1	810442
11	VINYL	DECAL - CAUTION DO NOT PRESSURIZE	1	810821
10	SS304	TAG UN 31A (550 GAL)	1	36501058
9	SS304	SHEET 10GA X 60" X 175.75"	1	951463
8	SS304	LEG ASSY 6.5" R/6-1/16" PIE#4	1	327941
7	SS304	LEG ASSY 6-1/2" R PIE	1	326541
6	SS304	LEG ASSY 6-1/2" L PIE	2	326540
5	SS304	GUARD 10GA X 4.27" X 43.19"	1	350859M
4	PP	PLUG 2" W/EPDM GASKET	1	342440
3	SS316	VALVE 2" FNPT W/LOCKING HANDLE	1	35400242
2	SS316	ELBOW 2" NPT X 90 DG	1	345632
1	SS304	BTM 10GA X 42" X 48"FM STD2.31"D SLP	1	358717

ITEM	MATL.	DESCRIPTION	QTY.	PART NO.
------	-------	-------------	------	----------

Snyder Industries
 www.snydernet.com

© SNYDER INDUSTRIES, LLC, 2020
 ALL DIMENSIONS, DESIGNS, AND INFORMATION ON THIS PRINT MUST BE CONSIDERED PROPRIETARY TO SNYDER INDUSTRIES, LLC, AND MAY NOT BE USED, COPIED, OR DISTRIBUTED WITHOUT WRITTEN PERMISSION OF AN OFFICER (OR HIS AGENT) OF THE FIRM.

DRAWN	MDH	4/13/20	APPROVED
CHECKED			CERTIFIED
		NEXT ASS'Y	SCALE 1:10
550 GALLON TANK 42" X 48"/22" DRM CVR/UN/10GA ALL 2" VALVE/HDLL/2" BUNG/3" FUSIBLE CAP/SLP BTM		MATERIAL SS304	DRAWING NO. 373403

- NOTES:**
1. REMOVE ALL BURRS & SHARP EDGES.
 2. THIS IBC WILL DOUBLE STACK.
 3. IBC TOP, BODY, & BOTTOM ARE 10 GAUGE (.135") ASTM-A240 SS304 MATERIAL.
 4. APPROXIMATE TARE WEIGHT OF IBC IS 630 LBS.